



moduline

item #
 model #
 project #
 sis #
 aia #



COOK & HOLD CSC052E

Static low temperature
oven

CONSTRUCTION FEATURES

- Tightness chamber with radiused corners
- Total thermic insulation with rock or glass wool
- Long lasting door seal, made up of food-grade and high-heat resistant silicone
- Static heating provided by low consumption wire heating element that coils up all the chamber
- Ergonomic and fully built-in door handle with magnetic closure
- Opposite side opening

FUNCTIONAL FEATURES

- Electronic control of the time, temperature and core probe
- Operating temperature 30°C ÷ 120°C
- Humidity vents
- End-of-cycle buzzer
- Designed for stacking
- Suction feet
- Chamber with safety thermostat
- Manual keyboard lock

STANDARD SUPPLY

- Internal core probe
- Removable GN2/1 tray racks

OPTIONS & ACCESSORIES

- Frame with wheels
- Frame on feet
- Grids
- Trays
- Handles to carry by hand
- Black colour


MODULINESRL


Via dell'Industria 11, Z.I. San Giacomo di Veglia 31029 Vittorio Veneto (TV) - ITALY
 tel. +39 0438 5063 - fax +39 0438 912 323 - info@moduline.it - www.moduline.it



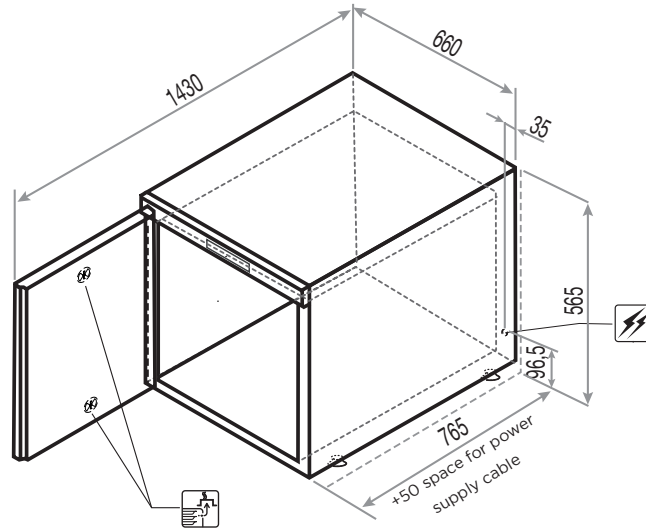
moduline

TECHNICAL INSTALLATION DIAGRAM

Electricity supply
cable inlet 

Adjustable vent
for release of
excess humidity 

Important - Drawing and
dimensions refer to the
standard version.
They may change
with the addition of
accessories or options.



Overall dimensions
(W x D x H) - mm

660 x 765 x 565h

Power supply

AC 220-240V 50/60Hz

Total input
[kW]

1,5 (230V)

Amps.
[A]

6,6 (230V)

**Working
temperature** [°C]

30 ÷ 120

**Trays capacity -
distance** [mm]

5 GN 2/1 - (75)
10 GN 1/1 - (75)

**Containers max
height GN 2/1** [mm]

5 x 65 (h)
2 x 150 (h)

**Containers max
height GN 1/1** [mm]

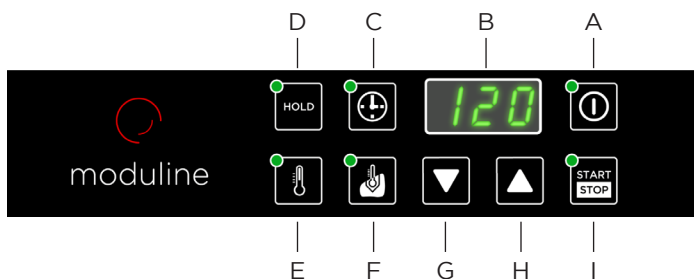
10 x 65 (h)
4 x 150 (h)

**Product max
capacity** [Kg]

30

Net weight
[Kg]

37



- A ON/OFF switch
- B Display
- C Time selection key
- D Keeping warm key
- E Temperature selection key
- F Core probe on/off key
- G Temperature decrease key
- H Temperature increase key
- I START/STOP key

MODULINESRL

Via dell'Industria 11, Z.I. San Giacomo di Veglia 31029 Vittorio Veneto (TV) - ITALY
tel. +39 0438 5063 - fax +39 0438 912 323 - info@moduline.it - www.moduline.it