



COOK&HOLD CSD002ER

Static low temperature
with drawers, built-in
and remote controls

CONSTRUCTION FEATURES

- Tightness chamber with radiused corners
- Total thermic insulation with rock or glass wool
- Long lasting drawers seals made up of food grade of high heat resistance
- Static heating provided by low consumption wire heating element that coils up all the chamber
- Ergonomic and fully built-in drawers handle with magnetic closure
- Built-in version with remote controls

FUNCTIONAL FEATURES

- Electronic control of the time, temperature and core probe
- Operating temperature 30° ÷ 120°C
- Humidity vents
- Chamber with safety thermostat
- Manual keyboard lock

STANDARD SUPPLY

- Removable GN1/1 tray racks
- Internal core probe

OPTIONS & ACCESSORIES

- Grids
- Trays
- Black colour
- Built-in frame


MODULINESRL


Via dell'Industria 11, Z.I. San Giacomo di Veglia 31029 Vittorio Veneto (TV) - ITALY
 tel. +39 0438 5063 - fax +39 0438 912 323 - info@moduline.it - www.moduline.it



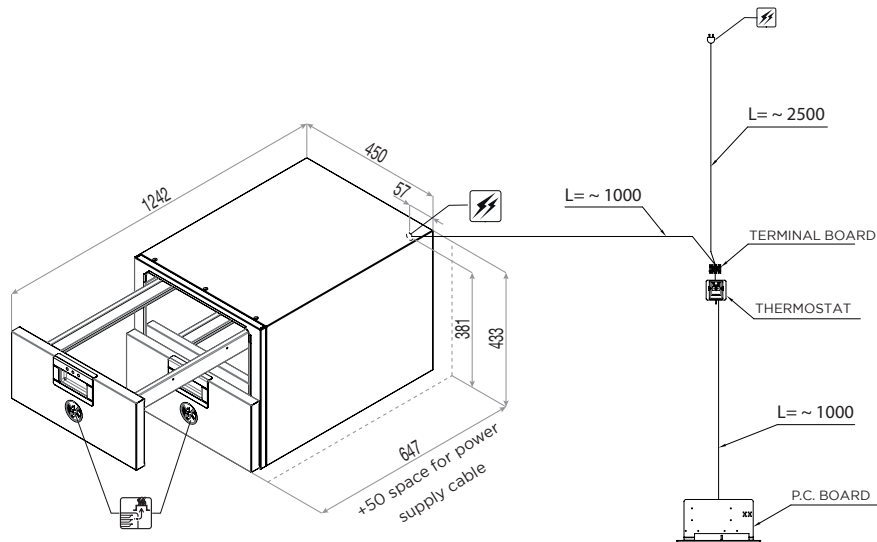
moduline

TECHNICAL INSTALLATION DIAGRAM

Electricity supply
cable inlet 

Humidity
exhaustion vent 

Important - Drawing and dimensions refer to the standard version. They may change with the addition of accessories or options.



Overall dimensions
(W x D x H) - mm

450 x 647 x 433h

Trays capacity

2 GN 1/1

Power supply

AC 220-240V 50/60Hz

**Containers max
height [mm]**

150

**Total input
[kW]**

1 (230V)

**Product max
capacity [Kg]**

12

**Amps.
[A]**

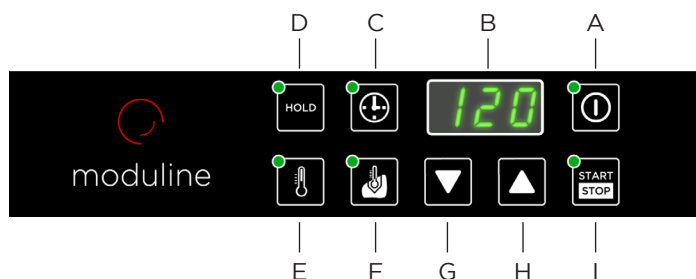
4,4 (230V)

**Net weight
[Kg]**

40

**Working
temperature [°C]**

30 ÷ 120



- A ON/OFF switch
- B Display
- C Time selection key
- D Keeping warm key
- E Temperature selection key
- F Core probe on/off key
- G Temperature decrease key
- H Temperature increase key
- I START/STOP key

MODULINESRL

Via dell'Industria 11, Z.I. San Giacomo di Veglia 31029 Vittorio Veneto (TV) - ITALY
tel. +39 0438 5063 - fax +39 0438 912 323 - info@moduline.it - www.moduline.it