

item #
 model #
 project #
 sis #
 aia #



SMOKER FAB082E

Static oven with
external smoking
device

CONSTRUCTION FEATURES

- Tightness chamber with radiused corners
- Total thermic insulation with rock or glass wool
- Long lasting frontal seals made up of food grade of high heat resistance
- Static heating provided by low consumption wire heating element that coils up all the chamber
- Snap-shut door
- Tightness cavity with radiused corners, built-in drip tray and drainage system

FUNCTIONAL FEATURES

- Electronic control panel of temperature, time, core probe, Dt and smoking with LCD touch-screen
- Operating temperature 30°C - 160°C
- End-of-cycle buzzer
- Chamber with safety thermostat
- Internal drain for easy cleaning
- Delayed start timer

STANDARD SUPPLY

- Multipoint core probe with the possibility to register 30 different temperatures and save them in the HACCP report (available only with USB port device)
- Glazed door plus lighting
- Removable GN 2/1 and GN 1/1 tray racks
- External stainless steel smoke generator with ash tray
- USB port saving device HACCP

OPTIONS & ACCESSORIES

- | | | |
|--|--|--|
| <input type="checkbox"/> EcoWash cleaning system | <input type="checkbox"/> Trays | <input type="checkbox"/> Bag of wooden chips |
| <input type="checkbox"/> Opposite side opening | <input type="checkbox"/> Water filter system | <input type="checkbox"/> Detergent/Rinsing agent |
| <input type="checkbox"/> Grids | <input type="checkbox"/> Hooks kit | <input type="checkbox"/> Supports |


MODULINESRL


Via dell'Industria 11, Z.I. San Giacomo di Veglia 31029 Vittorio Veneto (TV) - ITALY
 tel. +39 0438 5063 - fax +39 0438 912 323 - info@moduline.it - www.moduline.it




moduline

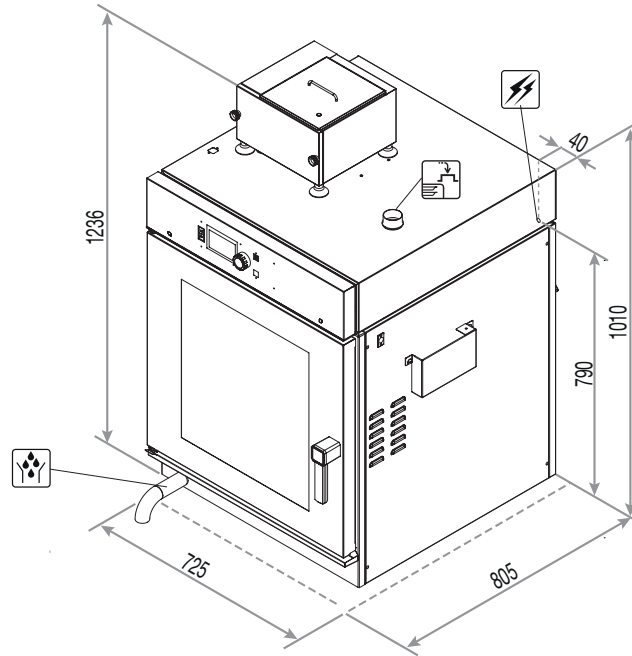
TECHNICAL INSTALLATION DIAGRAM

Electricity supply
cable inlet 

Smoke exhaustion
vent 

Chamber drain 

Important - Drawing and
dimensions refer to the
standard version.
They may change with the
addition of accessories
or options.



Overall dimensions
(W x D x H) - mm

725 x 805 x 1236h

Power supply

AC 220-240V 50/60Hz

Total input
[kW]

2,95 (230V)

Amps.
[A]

12,9 (230V)

**Working
temperature [°C]**

30 ÷ 160

**Trays capacity -
distance [mm]**

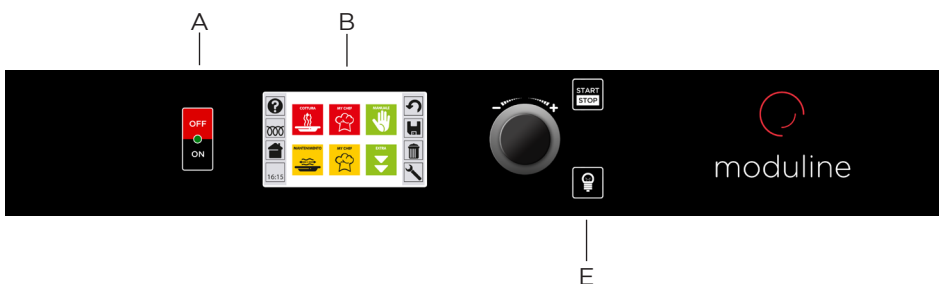
8 x GN 2/1 - (75)
16 x GN 1/1 - (75)

**Product max
capacity [Kg]**

55

Net weight
[Kg]

110



- A ON/OFF switch
- B Display Touch Screen
- C Setting knob and select "ENTER"
- D "START/STOP" button
- E Chamber light button

MODULINESRL

Via dell'Industria 11, Z.I. San Giacomo di Veglia 31029 Vittorio Veneto (TV) - ITALY
tel. +39 0438 5063 - fax +39 0438 912 323 - info@moduline.it - www.moduline.it