



moduline

item # .....  
model # .....  
project # .....  
sis # .....  
aia # .....



# HOLD HHT162EP

Warm holding cabinet

## CONSTRUCTION FEATURES

- Tightness chamber with radiuses corners
- All-around rubber bumpers
- Total thermic insulation with rock or glass wool
- Long lasting front seal, made up of food-grade and high-heat resistant silicone
- Double door to reduce mostly the drop in temperature at opening
- Removable side racks to facilitate cleaning
- Static heating provided by low consumption wire heating element that coils up all the chamber
- Ergonomic and fully built-in door handle with magnetic closure
- Mounted on four 150 mm diameter castors, two of which with brake
- Ergonomic handle for pushing and guiding
- Easy access to facilitate maintenance and repair
- Pass-through cavity, front and rear door
- Opposite side opening

## FUNCTIONAL FEATURES

- Electronic control of the temperature
- Operating temperature 30° ÷ 120°C
- Adjustable humidity vents on the door
- Chamber with safety thermostat
- Manual keyboard lock

## STANDARD SUPPLY

- Removable GN 2/1 and GN 1/1 tray racks

## OPTIONS & ACCESSORIES

- Kit feet
- Grids
- Trays


**MODULINESRL**


Via dell'Industria 11, Z.I. San Giacomo di Veglia 31029 Vittorio Veneto (TV) - ITALY  
tel. +39 0438 5063 - fax +39 0438 912 323 - info@moduline.it - www.moduline.it



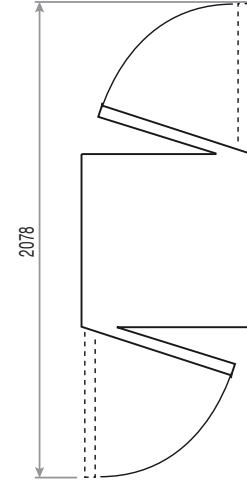
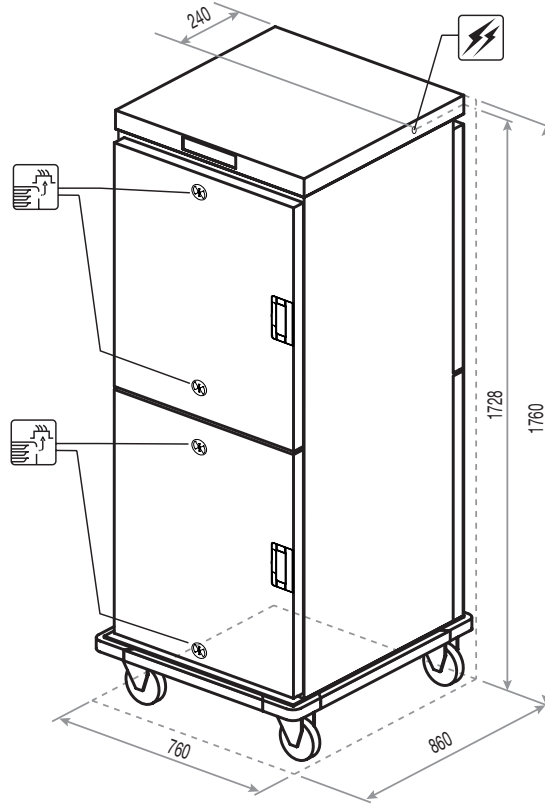
# moduline

## TECHNICAL INSTALLATION DIAGRAM

Electricity supply  
cable inlet 

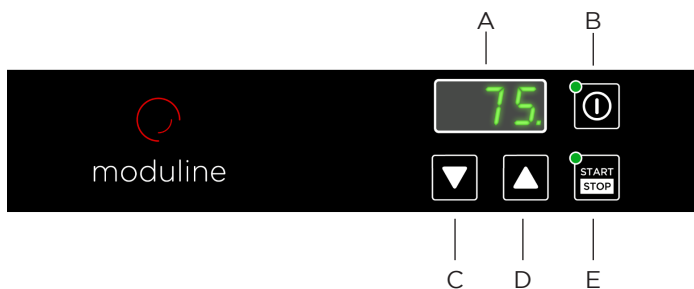
Vent for excess  
humidity 

**Important** - Drawing and  
dimensions refer to the  
standard version.  
They may change with the  
addition of accessories  
or options.



<b>Overall dimensions (W x D x H) - mm</b>	760 x 860 x 1760 h
<b>Trays capacity - distance [mm]</b>	16 x GN 2/1 - (75) 32 x GN 1/1 - (75)
<b>Tray max. height GN 2/1 [mm]</b>	16 x 65 (h) 6 x 150 (h) 4 x 200 (h) + 4 x 65 (h)
<b>Tray max. height GN 1/1 [mm]</b>	32 x 65 (h) 12 x 150 (h) 8 x 200 (h) + 8 x 65 (h)
<b>Power supply</b>	AC 220-240V 50/60Hz

<b>Total input [kW]</b>	3 (230V)
<b>Amps. [A]</b>	13,1 (230V)
<b>Working temperature [°C]</b>	30 ÷ 120
<b>Product max capacity [Kg]</b>	115
<b>Net weight [Kg]</b>	106



- A Display
- B ON/OFF switch
- C Temperature decrease key
- D Temperature increase key
- E START/STOP key

**MODULINESRL**

Via dell'Industria 11, Z.I. San Giacomo di Veglia 31029 Vittorio Veneto (TV) - ITALY  
tel. +39 0438 5063 - fax +39 0438 912 323 - info@moduline.it - www.moduline.it