



HOLD
HHT282EP
 Warm holding cabinet

**CONSTRUCTION
 FEATURES**

- Two separately controlled compartments
- All-around rubber bumpers
- Total thermic insulation with rock or glass wool
- Long lasting front seal, made up of food-grade and high-heat resistant silicone
- Removable side racks to facilitate cleaning
- Static heating provided by low consumption wire heating element that coils up all the chamber
- Ergonomic and fully built-in door handles with magnetic closure
- Mounted on four 150 mm diameter castors, two of which with brake
- Ergonomic handle for pushing and guiding
- Easy access to facilitate maintenance and repair
- Pass-through cavity, front and rear door
- Opposite side opening

**FUNCTIONAL
 FEATURES**

- Two separate electronic controls
- Operating temperature 30° ÷ 120°C
- Adjustable humidity vents on the doors
- Chamber with safety thermostat
- Manual keyboard lock

**STANDARD
 SUPPLY**

- Removable GN 2/1 and GN 1/1 tray racks


**OPTIONS
 & ACCESSORIES**


- Kit feet
- Grids
- Trays



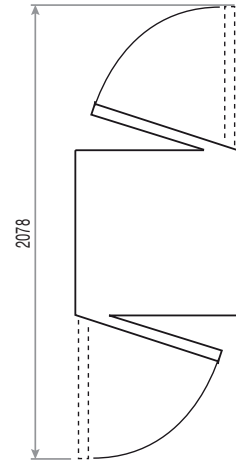
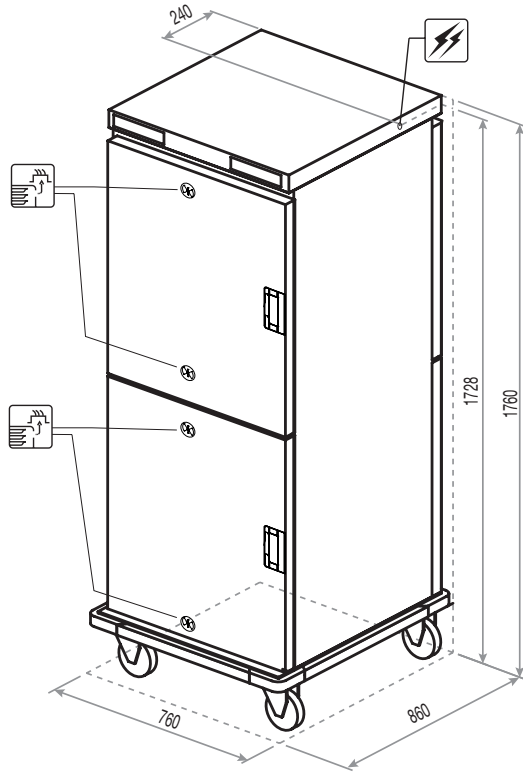
moduline

TECHNICAL INSTALLATION DIAGRAM

Electricity supply
cable inlet 

Vent for excess
humidity 

Important - Drawing and
dimensions refer to the
standard version.
They may change with the
addition of accessories
or options.



Overall dimensions
(W x D x H) - mm

760 x 860 x 1760 h

**Trays capacity -
distance [mm]**

(8+8) x GN 2/1 - (75)
(16+16) x GN 1/1 - (75)

**Tray max. height
GN 2/1 [mm]**

8 x 65 (h) + 8 x 65 (h)
3 x 150 (h) + 3 x 150 (h)
2 x 200 (h) + 2 x 65 (h) and 2 x 200 (h) + 2 x 65 (h)

**Tray max. height
GN 1/1 [mm]**

16 x 65 (h) + 16 x 65 (h)
6 x 150 (h) + 6 x 150 (h)
4 x 200 (h) + 4 x 65 (h) and 4 x 200 (h) + 4 x 65 (h)

Power supply

AC 220-240V 50/60Hz

Total input
[kW]

3 (230V)

Amps.
[A]

13,1 (230V)

**Working
temperature [°C]**

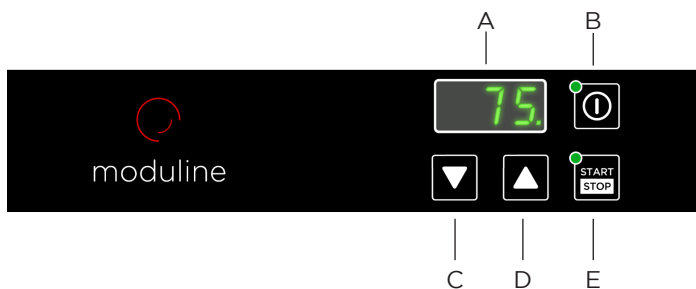
30 ÷ 120

**Product max
capacity [Kg]**

115

Net weight
[Kg]

111



- A Display
- B ON/OFF switch
- C Temperature decrease key
- D Temperature increase key
- E START/STOP key

MODULINESRL

Via dell'Industria 11, Z.I. San Giacomo di Veglia 31029 Vittorio Veneto (TV) - ITALY
tel. +39 0438 5063 - fax +39 0438 912 323 - info@moduline.it - www.moduline.it