



moduline

item # .....  
 model # .....  
 project # .....  
 sis # .....  
 aia # .....



**HOLD**  
**HSH031E**  
 Warm holding cabinet

**CONSTRUCTION FEATURES**

- Tightness chamber with radiused corners
- Total thermic insulation with rock or glass wool
- Long lasting door seal, made up of food-grade and high-heat resistant silicone
- Static heating provided by low consumption wire heating element that coils up all the chamber
- Ergonomic and fully built-in door handle with magnetic closure
- Opposite side opening

**FUNCTIONAL FEATURES**

- Electronic control of the temperature
- Operating temperature 30°C ÷ 120°C
- Humidity vents
- Designed for stacking
- Suction feet
- Chamber with safety thermostat
- Manual keyboard lock

**STANDARD SUPPLY**

- Removable GN1/1 tray racks

**OPTIONS & ACCESSORIES**

- Frame with wheels
- Frame on feet
- Grids
- Trays
- Handles to carry by hand
- Black colour


**MODULINESRL**


Via dell'Industria 11, Z.I. San Giacomo di Veglia 31029 Vittorio Veneto (TV) - ITALY  
 tel. +39 0438 5063 - fax +39 0438 912 323 - info@moduline.it - www.moduline.it



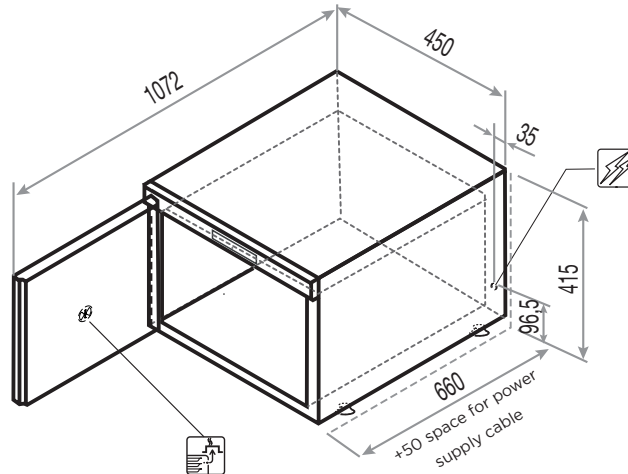
# moduline

## TECHNICAL INSTALLATION DIAGRAM

Electricity supply  
cable inlet 

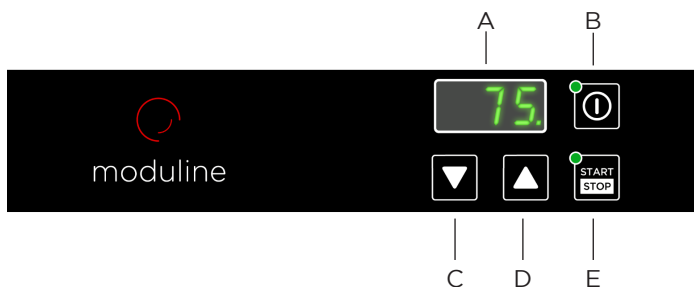
Adjustable vent  
for release of  
excess humidity 

**Important** - Drawing and  
dimensions refer to the  
standard version.  
They may change  
with the addition of  
accessories or options.



<b>Overall dimensions (W x D x H) - mm</b>	450 x 660 x 415h
<b>Power supply</b>	AC 220-240V 50/60Hz
<b>Total input [kW]</b>	0,7 (230V)
<b>Amps. [A]</b>	3,1 (230V)
<b>Working temperature [°C]</b>	30 ÷ 120

<b>Trays capacity - distance [mm]</b>	3 GN 1/1 - (75)
<b>Containers max height [mm]</b>	3 x 65 (h) 1 x 200 (h) 1 x 150 (h) + 1 x 65 (h)
<b>Product max capacity [Kg]</b>	11
<b>Net weight [Kg]</b>	22



- A Display
- B ON/OFF switch
- C Temperature decrease key
- D Temperature increase key
- E START/STOP key

**MODULINESRL**

Via dell'Industria 11, Z.I. San Giacomo di Veglia 31029 Vittorio Veneto (TV) - ITALY  
tel. +39 0438 5063 - fax +39 0438 912 323 - info@moduline.it - www.moduline.it