



moduline

item # .....  
 model # .....  
 project # .....  
 sis # .....  
 aia # .....



**HOLD**  
**HSW012E**  
 Warm holding  
 drawers

**CONSTRUCTION  
FEATURES**

- Tightness chamber with radiused corners
- Total thermic insulation with rock or glass wool
- Long lasting drawers seals made up of food grade of high heat resistance
- Static heating provided by low consumption wire heating element that coils up all the chamber
- Ergonomic and fully built-in drawers handle with magnetic closure

**FUNCTIONAL  
FEATURES**

- Electronic control of the temperature
- Operating temperature 30° ÷ 120°C
- Humidity vents
- Designed for stacking
- Chamber with safety thermostat
- Manual keyboard lock

**STANDARD  
SUPPLY**

- Removable GN1/1 tray racks

**OPTIONS  
& ACCESSORIES**

- |  |   |
|--|---|
| <input type="checkbox"/> Frame with wheels | <input type="checkbox"/> Handles to carry by hand |
| <input type="checkbox"/> Frame on feet     | <input type="checkbox"/> Black colour             |
| <input type="checkbox"/> Grids             | <input type="checkbox"/> Built-in frame           |
| <input type="checkbox"/> Trays             |   |


**MODULINESRL**


Via dell'Industria 11, Z.I. San Giacomo di Veglia 31029 Vittorio Veneto (TV) - ITALY  
tel. +39 0438 5063 - fax +39 0438 912 323 - info@moduline.it - www.moduline.it



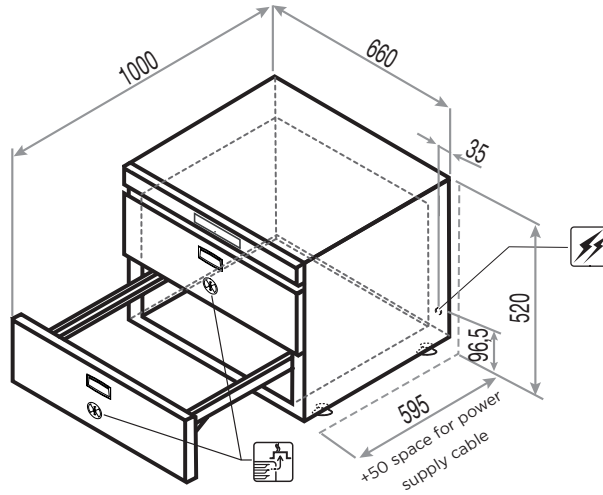
# moduline

## TECHNICAL INSTALLATION DIAGRAM

Electricity supply  
cable inlet 

Humidity  
exhaustion vent 

**Important** - Drawing and  
dimensions refer to the  
standard version.  
They may change with the  
addition of accessories or  
options.



Overall dimensions  
(W x D x H) - mm

660 x 595 x 520h

Power supply

AC 220-240V 50/60Hz

Total input  
[kW]

1 (230V)

Amps.  
[A]

4,4 (230V)

Working  
temperature [°C]

30 ÷ 120

Trays capacity

2 GN 1/1

Containers max  
height [mm]

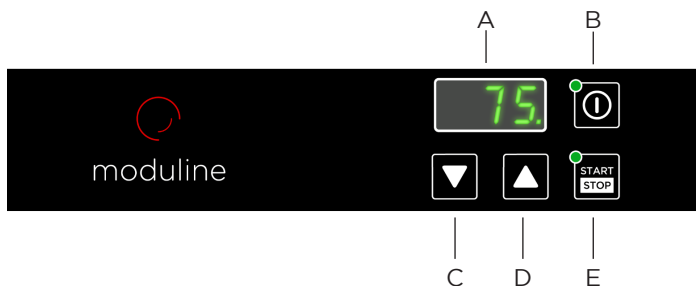
150

Product max  
capacity [Kg]

12

Net weight  
[Kg]

48



- A Display
- B ON/OFF switch
- C Temperature decrease key
- D Temperature increase key
- E START/STOP key

**MODULINESRL**

Via dell'Industria 11, Z.I. San Giacomo di Veglia 31029 Vittorio Veneto (TV) - ITALY  
tel. +39 0438 5063 - fax +39 0438 912 323 - info@moduline.it - www.moduline.it