



# COOK&HOLD CHC052E

Static low temperature  
oven

## CONSTRUCTION FEATURES

- Tightness chamber with radiused corners
- Total thermic insulation with rock or glass wool
- Long lasting frontal seals made up of food grade of high heat resistance
- Static heating provided by low consumption wire heating element that coils up all the chamber
- Snap-shut door
- Four swivel wheels of which 2 with brake
- All-around rubber bumpers
- Tightness cavity with radiused corners, built-in drip tray and drainage system

## FUNCTIONAL FEATURES

- Electronic control panel of temperature, time, core probe and  $\Delta t$  with LCD 4,3"touch-screen
- Operating temperature 30°C – 160°C
- End-of-cycle buzzer
- Chamber with safety thermostat
- Internal drain for easy cleaning
- Condensation drain tray
- Start timer programmed

## STANDARD SUPPLY

- Multipoint core probe with the possibility to register 30 different temperatures and save them in the HACCP report
- Glazed door plus lighting
- Removable GN 2/1 and GN 1/1 tray racks
- USB port saving device HACCP

## OPTIONS & ACCESSORIES


- EcoWash self-cleaning system
- Opposite side opening
- Grids
- Trays
- Water filter system(together with washing)
- Detergent/Rinsing agent(together with washing)


### MODULINESRL




# moduline

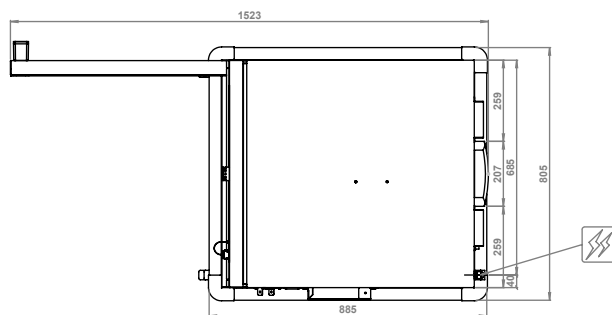
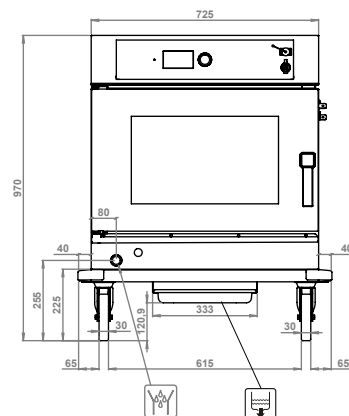
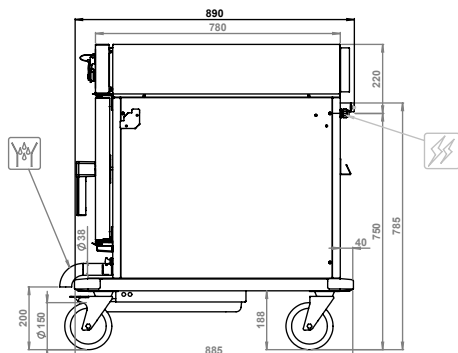
## TECHNICAL INSTALLATION DIAGRAM

Electricity supply  
cable inlet 

Chamber drain 

Condensed discharge 

**Important** - Drawing and  
dimensions refer to the  
standard version.  
They may change with the  
addition of accessories or  
options.



Overall dimensions  
(W x D x H) - mm 805 x 890 x 970h

Power supply AC 220-240V 50/60Hz

Total input 3 (230V)  
[Kw] 3,15 (230V) with Ecowash self-cleaning system

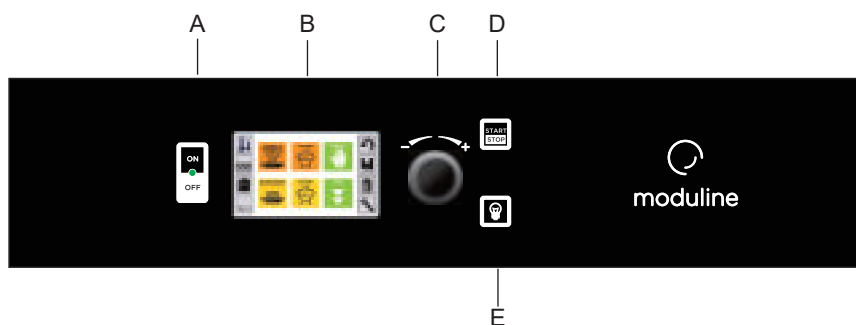
Amps. 13,1 (230V)  
[A] 13,7 (230V) with Ecowash self-cleaning system

Working temperature 30 ± 160  
[°C]

Containers capacity -  
distance [mm] 5 GN 2/1 - (75)  
10 GN 1/1 - (75)

Product max capacity 46  
[Kg]

Net weight 80  
[Kg]



- A ON/OFF switch
- B Display Touch Screen
- C Setting knob and select "ENTER"
- D "START/STOP" button
- E Chamber light button

**MODULINESRL**

Via dell'Industria 11, Z.I. San Giacomo di Veglia 31029 Vittorio Veneto (TV) - ITALY  
tel. +39 0438 5063 - fax +39 0438 912 323 - info@moduline.it - www.moduline.it