



HOLD
HHT052E
 Warm holding cabinet

**CONSTRUCTION
 FEATURES**

- Tightness chamber with radiuses corners
- All-around rubber bumpers
- Total thermic insulation with rock or glass wood
- Long lasting front seal, made up of food-grade and high-heat resistant silicone
- Removable side racks to facilitate cleaning
- Static heating provided by low consumption wire heating element that coils up all the chamber
- Ergonomic and fully built-in door handle with magnetic closure
- Four swivel wheels of which 2 with brake
- Ergonomic handle for pushing and guiding
- Easy access to facilitate maintenance and repair

**FUNCTIONAL
 FEATURES**

- Electronic control of the temperature
- Operating temperature 30° ÷ 120°C
- Adjustable humidity vents on the door
- Chamber with safety thermostat
- Manual keyboard lock

**STANDARD
 SUPPLY**

- Removable GN 2/1 and GN 1/1 tray racks

**OPTIONS
 & ACCESSORIES**


- Kit feet
- Grids
- Trays
- Opposite side opening
- UK Plug
- Digitalcontrol with wi-fi


MODULINESRL



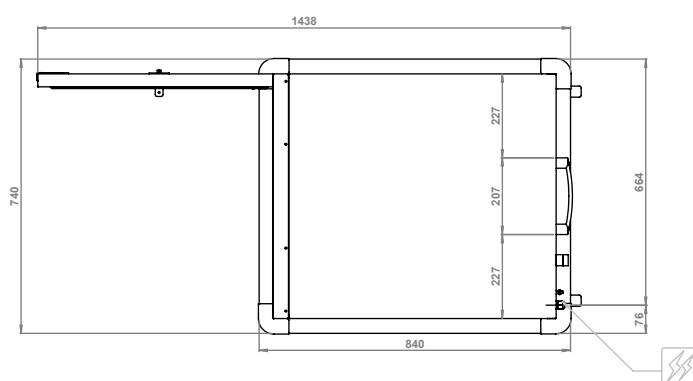
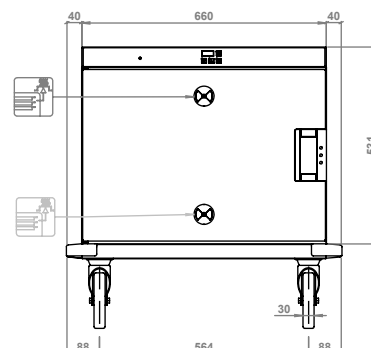
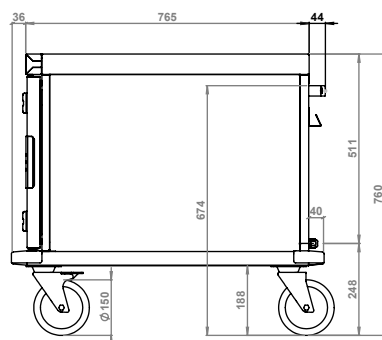
moduline

TECHNICAL INSTALLATION DIAGRAM

Electricity supply
cable inlet 

Vent for excess
humidity 

Important - Drawing and
dimensions refer to the
standard version.
They may change with the
addition of accessories
or options.



Overall dimensions
(W x D x H) - mm

740 x 840 x 760h

Total input
[kW]

1,5 (230V)

Trays capacity -
distance [mm]

5 x GN 2/1 - (75)
10 x GN 1/1 - (75)

Amps.
[A]

6,6 (230V)

Tray max. height GN
2/1 [mm]

5 x 65 (h)
2 x 150 (h)
1 x 200 (h) + 2 x 65 (h)

Working temperature
[°C]

30 ÷ 120

Tray max. height GN
1/1 [mm]

10 x 65 (h)
4 x 150 (h)
2 x 200 (h) + 4 x 65 (h)

Product max capacity
[Kg]

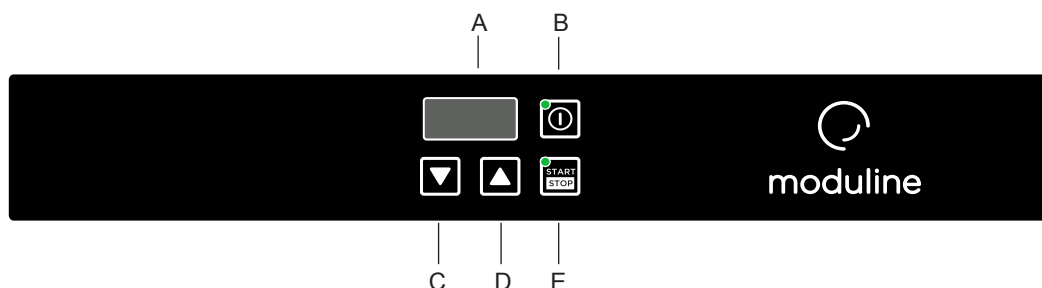
36

Power supply

AC 220-240V 50/60Hz

Net weight
[Kg]

51



- A Display
- B ON/OFF switch
- C Temperature decrease key
- D Temperature increase key
- E START/STOP key

MODULINESRL

Via dell'Industria 11, Z.I. San Giacomo di Veglia 31029 Vittorio Veneto (TV) - ITALY
tel. +39 0438 5063 - fax +39 0438 912 323 - info@moduline.it - www.moduline.it

01-2025