



# GRILL PLUS SEH004E

Ultra-rapid  
Salamander

**CONSTRUCTION  
FEATURES**

- Stainless steel construction
- Adjustable upper plate to have the heating surface closer to the food
- Ultra rapid and high-performance heating elements
- Safety thermostat to avoid overheating
- Steel grill and drip tray to collect cooking juices, simple to remove to facilitate cleaning

**FUNCTIONAL  
FEATURES**

- Electronic controls with digital display protected by a polycarbonate panel
- Possibility of selecting the cooking zone, activating 2 or 4 heating elements
- Encoder to adjust cooking time up to 20'
- Warm holding function after the cooking cycle has finished, to be set during programming separately
- Plate detection system for automatic switching on or off
- (4) heating elements housed in a special ceramic dish
- 


**OPTIONS  
& ACCESSORIES**

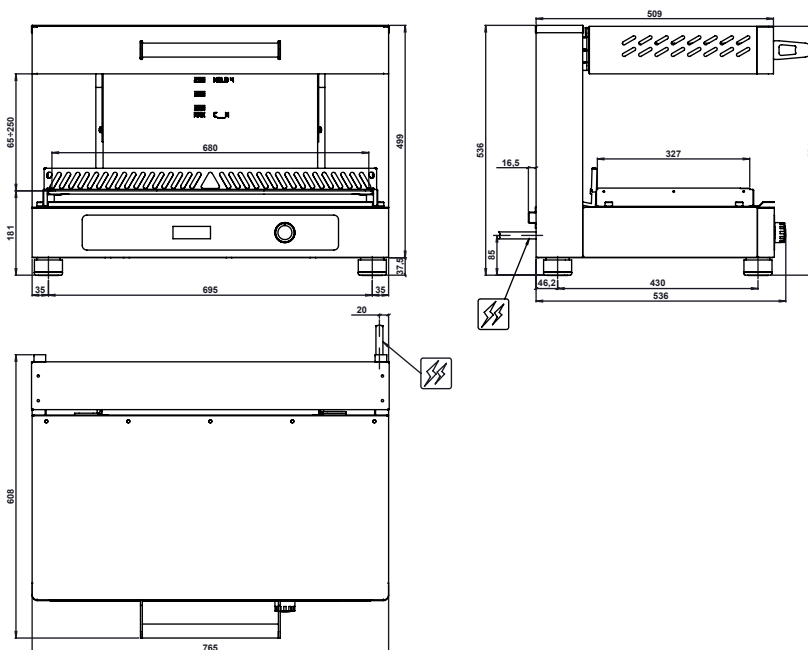
Adjustable feet



moduline

TECHNICAL INSTALLATION DIAGRAM

Electricity supply cable inlet 



Overall dimensions (W x D x H) - mm 765 x 608 x 536h

Cooking plate 1 GN 1/1 + 1 GN 1/3

Upper heating plate [mm] 655 x 260 (4 heating elements)

Net weight [Kg] 65

Power supply 380-415V 3N 50/60Hz

Total input [kW] 6,1 (400V)

Amps. [A] 13,1 (400V)

A B C D E F



- A ON/OFF switch
- B Display
- C Selection of upper heating elements
- D Cooking / Warm holding
- E START/STOP button
- F Knob

MODULINESRL

Via dell'Industria 11, Z.I. San Giacomo di Veglia 31029 Vittorio Veneto (TV) - ITALY  
tel. +39 0438 5063 - fax +39 0438 912 323 - info@moduline.it - www.moduline.it